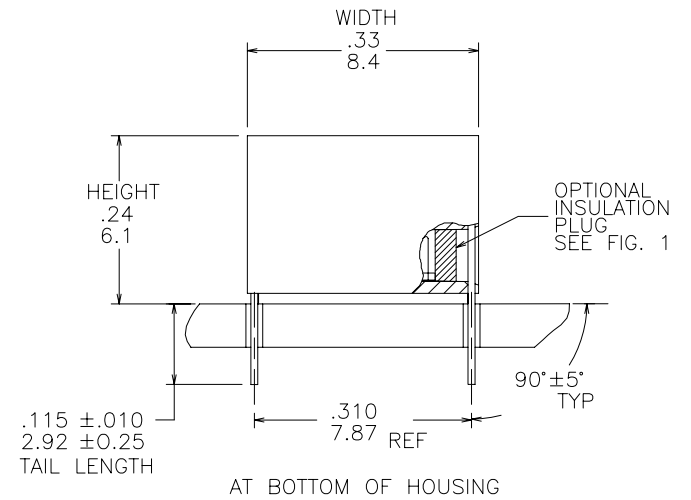
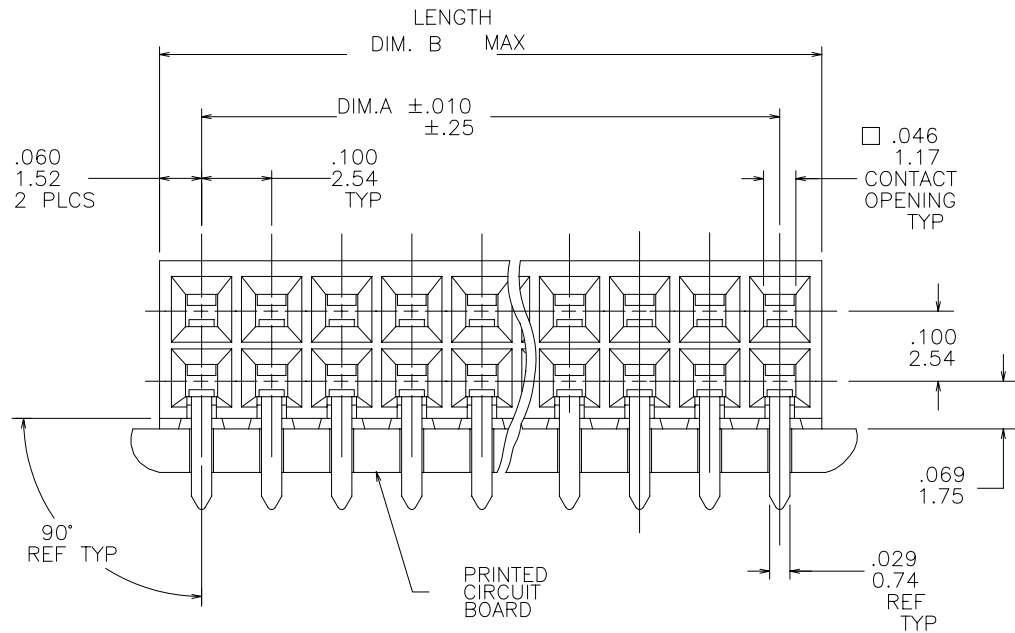
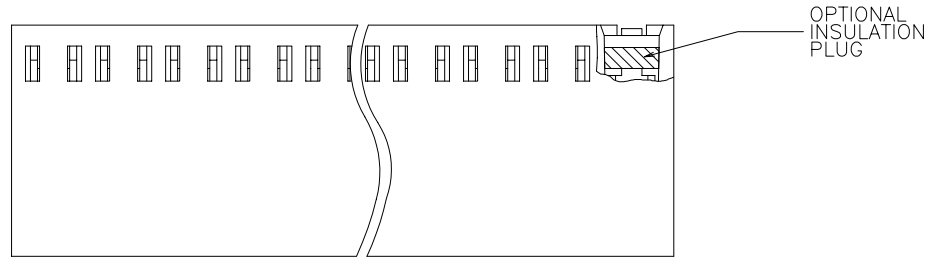


PRODUCT NO

SEE TABLE



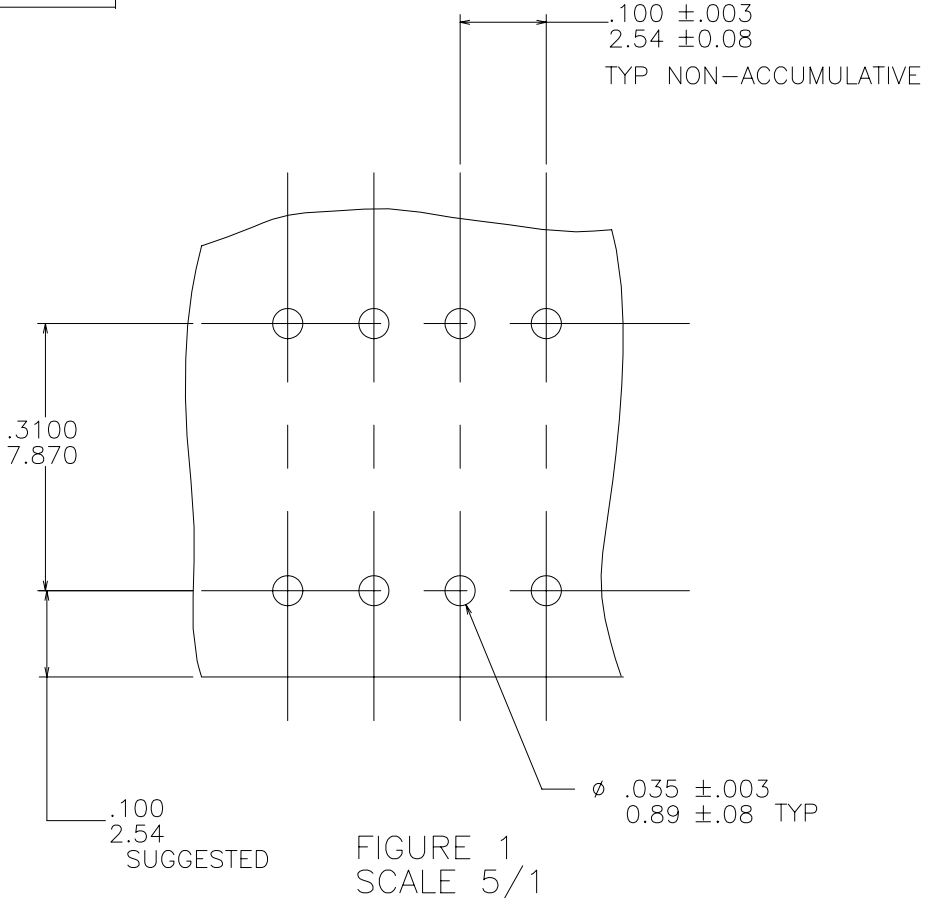
FCIconnect.com

Copyright FCI

mat'l. code		surface		tolerance		projection		product family	
NOTE 1,2		ISO 1302 ✓		ISO 406		INCH/MM		CARD CONN.	
				ISO 1101					
ltr	ecn	no	dr	date	tolerances unless otherwise specified		title		
G	V41100	LSS		8/15/94	angles	linear	2 X .100/2.54 HORIZ. CARD CONNECTOR		
H	V61633	EPK		11/14/96			scale 4:1		
J	V70994	JM		10/19/97	0° ± 2'		dwg no		
K	V02518	MDF		10/26/00	dr	J. SHREINER	3/22/90		sheet 1 of 6 size
L	M05-0181	MHT		8/20/05	engr	M. HAHN	3/22/90		66926 A3
M	M06-0117	MN		06/02/06	chr	M. HAHN	3/22/90		type
N	M07-0137	MHT		2/26/07	appd	M. HAHN	3/22/90		Product Customer Drawing
sheet	revision	N	N	N	N	N	N	N	
index	sheet	1	2	3	4	5	6		

form: A3

PRODUCT NO
SEE TABLE



- NOTES.
- ① HOUSING MATERIAL.
FILLED HIGH TEMPERATURE NYLON, FLAME RETARDANT.
PER UL 94V-0
COLOR: BLACK
 - ② TERMINAL MATERIAL.
BODY: BRASS .010/.25 THICK.
SPRING: BE-CU. HEAT TREATED
BODY PLATING:
40 MICROINCH GOLD/1.02 MICRO OVER 50 MICROINCH
NICKEL/1.27 MICRON IN CONTACT AREA.
SOLDER TAIL .100 MICROINCH/2.54 MICRON PURE TIN (NOTE 8)
OVER 50 MICRO INCH/1.27 MICRON NICKEL
SPRING PLATING: GOLD FLASH
 3. APPLICATION INFORMATION.
A. RECOMMENDED MOUNTING HOLE PATTERN IS SHOWN IN FIG."1"
B. ALL MATING PINS TO BE .025/.64 SQUARE ON TRUE CENTER OF GIVEN TERMINAL SPACINGS WITHIN .015/.38 DIA.
C. SUGGESTED MATING PIN LENGTH .350±.020/8.89±.51.
 4. TERMINAL MATERIAL.
BODY: BRASS .010/.25 THICK.
SPRING: BE-CU. HEAT TREATED
BODY PLATING:
40 MICROINCH GOLD/1.02 MICRO OVER 50 MICROINCH
NICKEL/1.27 MICRON IN CONTACT AREA.
SOLDER TAIL PLATING .3 MICROINCH/.076 MICRON GOLD
OVER 50 MICROINCH/1.27 MICRON NICKEL
SPRING PLATING: GOLD FLASH
 - ⑤ ADD "LF" SUFFIX AT THE END OF PART NUMBER FOR LEAD FREE OPTION.
 - ⑥ THESE PRODUCTS MEET EUROPEAN UNION DIRECTIVES AND OTHER COUNTRY REGULATIONS AS DESCRIBED IN GS-22-008.
 7. THIS PART WILL WITHSTAND EXPOSURE TO 260°C PEAK TEMPERATURE FOR 20 SECONDS IN A WAVE SOLDER, INFRA-RED OR VAPOR PHASE SOLDER PROCESS.
 - ⑧ "THIS PRODUCT HAS 100% TIN PLATING IN THE INTERFACE AND HAS NOT BEEN TESTED FOR WHISKER GROWTH IN ALL INTERCONNECT ENVIRONMENTS."



Copyright FCI

mat'l. code NOTE 1,2		surface ISO 1302 ✓	tolerance ISO 406 ISO 1101	projection INCH/MM	product family CARD CONN.
ltr	ecn no	dr	date	tolerances unless otherwise specified	title
N				angles linear .xx ±.01/.3 .xxx ±.005/.13 .xxxx ±.0020/.051	2 X .100/2.54 HORIZ. CARD CONNECTOR
		dr	J. SHREINER	3/22/90	scale 4:1
		enr	M. HAHN	3/22/90	FCI
		chr	M. HAHN	3/22/90	
		appd	M. HAHN	3/22/90	
sheet index	revision sheet				dwg no 66926
					sheet 2 of 6 size A3
					type Product Customer Drawing

PRODUCT NO	N. OF POS.	DIM. A	DIM. B	INSULATION PLUG	PLATING	LEAD FREE OPTION
66926-001	2X1	.00/.0	.120/3.05	NO		NOTE 6,7
-002	2X2	.10/2.5	.220/5.59			UNASSIGNED
-003	2X3	.20/5.0	.320/8.13		NOTE 5	
-004	2X4	.30/7.6	.420/10.67		NOTE 5	
-005	2X5	.40/10.1	.520/13.21		NOTE 2	
-006	2X6	.50/12.7	.620/15.75			
-007	2X7	.60/15.2	.720/18.27			
-008	2X8	.70/17.7	.820/20.83			
-009	2X9	.80/20.3	.920/23.37			
-010	2X10	.90/22.8	1.020/25.91			
-011	2X11	1.00/25.4	1.120/28.45			
-012	2X12	1.10/27.9	1.220/30.99			
-013	2X13	1.20/30.4	1.320/33.53			
-014	2X14	1.30/33.0	1.420/36.07			
-015	2X15	1.40/35.5	1.520/38.61			
-016	2X16	1.50/38.1	1.620/41.15			
-017	2X17	1.60/40.6	1.720/43.69			
-018	2X18	1.70/43.1	1.820/46.23			
-019	2X19	1.80/45.7	1.920/48.77			
-020	2X20	1.90/48.2	2.020/51.31			
-021	2X21	2.00/50.8	2.120/53.85			
-022	2X22	2.10/53.3	2.220/56.39			
-023	2X23	2.20/55.8	2.320/58.93			
-024	2X24	2.30/58.4	2.420/61.47			
-025	2X25	2.40/60.9	2.520/64.01			
-026	2X26	2.50/63.5	2.620/66.55			
-027	2X27	2.60/66.0	2.720/69.09			
-028	2X28	2.70/68.5	2.820/71.63			
-029	2X29	2.80/71.1	2.920/74.17			
-030	2X30	2.90/73.6	3.020/76.71			
-031	2X31	3.00/76.2	3.120/79.25			
-032	2X32	3.10/78.7	3.220/81.79			
-033	2X33	3.20/81.2	3.320/84.33			
-034	2X34	3.30/83.8	3.420/86.87			
-035	2X35	3.40/86.3	3.520/89.41			
-036	2X36	3.50/88.9	3.620/91.95			
-037	2X37	3.60/91.4	3.720/94.49			
-038	2X38	3.70/93.9	3.820/97.03			
-039	2X39	3.80/96.5	3.920/99.57			
66926-040	2X40	3.90/99.0	4.020/102.11	NO	NOTE 2	NOTE 6,7



FCIconnect.com

Copyright FCI

mat'l. code NOTE 1,2		surface ISO 1302 ✓	tolerance ISO 406 ISO 1101	projection 	product family CARD CONN.
ltr	ecn	no	dr	date	tolerances unless otherwise specified
N					angles linear .xx ±.01/.3 .xxx ±.005/.13 .xxxx ±.0020/.051
					0'±2'
					dr J. SHREINER 3/22/90
					enr M. HAHN 3/22/90
					chr M. HAHN 3/22/90
					appd M. HAHN 3/22/90
sheet index	revision sheet				



INCH/MM
scale 4:1
title
2 X .100/2.54 HORIZ.
CARD CONNECTOR
dwg no
66926
sheet 3 of 6
size
A3
type Product Customer Drawing

PRODUCT NO	N. OF PDS.	DIM. A	DIM. B	INSULATION PLUG	PLATING	LEAD FREE OPTION
66926-041	2X41	4.00/101.6	4.120/104.65	NO	NOTE 2	NOTE 6,7
-042	2X42	4.10/104.1	4.220/107.19			
-043	2X43	4.20/106.6	4.320/109.73			
-044	2X44	4.30/109.2	4.420/112.27			
-045	2X45	4.40/111.7	4.520/114.81			
-046	2X46	4.50/114.3	4.620/117.35			
-047	2X47	4.60/116.8	4.720/119.89			
-048	2X48	4.70/119.3	4.820/122.43			
-049	2X49	4.80/121.9	4.920/124.97			
-050	2X50	4.90/124.4	5.020/127.51			
-051	2X51	5.00/127.0	5.120/130.05			
-052	2X52	5.10/129.5	5.220/132.59			
-053	2X53	5.20/132.0	5.320/135.15			
-054	2X54	5.30/134.6	5.420/137.67			
-055	2X55	5.40/137.1	5.520/140.21			
-056	2X56	5.50/139.7	5.620/142.76			
-057	2X57	5.60/142.2	5.720/145.29			
-058	2X58	5.70/144.7	5.820/147.83			
-059	2X59	5.80/147.3	5.920/150.37			
-060	2X60	5.90/149.8	6.020/152.91			
-061	2X61	6.00/152.4	6.120/155.45			
-062	2X62	6.10/154.9	6.220/157.99			
-063	2X63	6.20/157.4	6.320/160.53			
-064	2X64	6.30/160.0	6.420/163.07			
66926-065	2X65	6.40/162.5	6.520/165.61	NO	NOTE 2	NOTE 6,7
66926-066	THRU -100					OBSOLETE



FCJconnect.com

Copyright FCJ

mat'l. code NOTE 1,2		surface ISO 1302 ✓	tolerance ISO 406 ISO 1101	projection 	product family CARD CONN.
ltr	ecn	no	dr	date	tolerances unless otherwise specified
N					angles linear .xx ±.01/.3 .xxx ±.005/.13 .xxxx ±.0020/.051
					0'±2'
			dr	J. SHREINER	3/22/90
			enr	M. HAHN	3/22/90
			chr	M. HAHN	3/22/90
			appd	M. HAHN	3/22/90
sheet index	revision sheet				



title
2 X .100/2.54 HORIZ.
CARD CONNECTOR

scale 4:1

dwg no
66926

sheet 4 of 6 size
A3

type Product Customer Drawing

PRODUCT NO	N. OF POS.	DIM. A	DIM. B	INSULATION PLUG	PLATING	LEAD FREE OPTION
66926-501	2X1	.00/0	.120/3.05	YES		NOTE 6,7
-502	2X2	.10/2.5	.220/5.59			
-503	2X3	.20/5.0	.320/8.13		NOTE 5	
-504	2X4	.30/7.6	.420/10.67		NOTE 5	
-505	2X5	.40/10.1	.520/13.21		NOTE 2	
-506	2X6	.50/12.7	.620/15.75			
-507	2X7	.60/15.2	.720/18.27			
-508	2X8	.70/17.7	.820/20.83			
-509	2X9	.80/20.3	.920/23.37			
-510	2X10	.90/22.8	1.020/25.91			
-511	2X11	1.00/25.4	1.120/28.45			
-512	2X12	1.10/27.9	1.220/30.99			
-513	2X13	1.20/30.4	1.320/33.53			
-514	2X14	1.30/33.0	1.420/36.07			
-515	2X15	1.40/35.5	1.520/38.61			
-516	2X16	1.50/38.1	1.620/41.15			
-517	2X17	1.60/40.6	1.720/43.69			
-518	2X18	1.70/43.1	1.820/46.23			
-519	2X19	1.80/45.7	1.920/48.77			
-520	2X20	1.90/48.2	2.020/51.31			
-521	2X21	2.00/50.8	2.120/53.85			
-522	2X22	2.10/53.3	2.220/56.39			
-523	2X23	2.20/55.8	2.320/58.93			
-524	2X24	2.30/58.4	2.420/61.47			
-525	2X25	2.40/60.9	2.520/64.01			
-526	2X26	2.50/63.5	2.620/66.55			
-527	2X27	2.60/66.0	2.720/69.09			
-528	2X28	2.70/68.5	2.820/71.63			
-529	2X29	2.80/71.1	2.920/74.17			
-530	2X30	2.90/73.6	3.020/76.71			
-531	2X31	3.00/76.2	3.120/79.25			
-532	2X32	3.10/78.7	3.220/81.79			
-533	2X33	3.20/81.2	3.320/84.33			
-534	2X34	3.30/83.8	3.420/86.87			
-535	2X35	3.40/86.3	3.520/89.41			
-536	2X36	3.50/88.9	3.620/91.95			
-537	2X37	3.60/91.4	3.720/94.49			
-538	2X38	3.70/93.9	3.820/97.03			
-539	2X39	3.80/96.5	3.920/99.57			
66926-540	2X40	3.90/99.0	4.020/102.11	YES	NOTE 2	NOTE 6,7



Copyright FCI

mat'l. code NOTE 1,2		surface ISO 1302 <input checked="" type="checkbox"/>	tolerance ISO 406 ISO 1101	projection 	product family CARD CONN.
ltr	ecn	no	dr	date	tolerances unless otherwise specified
N					angles linear
					0'±2'
					dr J. SHREINER 3/22/90
					enr M. HAHN 3/22/90
					chr M. HAHN 3/22/90
					appd M. HAHN 3/22/90
sheet index	revision sheet				

title 2 X .100/2.54 HORIZ. CARD CONNECTOR	
dwg no 66926	sheet 5 of 6 size A3
type Product Customer Drawing	

PRODUCT NO	N. OF POS.	DIM. A	DIM. B	INSULATION PLUG	PLATING	LEAD FREE OPTION
66926-541	2X41	4.00/101.6	4.120/104.65	YES	NOTE 2	NOTE 6,7
-542	2X42	4.10/104.1	4.220/107.19			
-543	2X43	4.20/106.6	4.320/109.73			
-544	2X44	4.30/109.2	4.420/112.27			
-545	2X45	4.40/111.7	4.520/114.81			
-546	2X46	4.50/114.3	4.620/117.35			
-547	2X47	4.60/116.8	4.720/119.89			
-548	2X48	4.70/119.3	4.820/122.43			
-549	2X49	4.80/121.9	4.920/124.97			
-550	2X50	4.90/124.4	5.020/127.51			
-551	2X51	5.00/127.0	5.120/130.05			
-552	2X52	5.10/129.5	5.220/132.59			
-553	2X53	5.20/132.0	5.320/135.15			
-554	2X54	5.30/134.6	5.420/137.67			
-555	2X55	5.40/137.1	5.520/140.21			
-556	2X56	5.50/139.7	5.620/142.76			
-557	2X57	5.60/142.2	5.720/145.29			
-558	2X58	5.70/144.7	5.820/147.83			
-559	2X59	5.80/147.3	5.920/150.37			
-560	2X60	5.90/149.8	6.020/152.91			
-561	2X61	6.00/152.4	6.120/155.45			
-562	2X62	6.10/154.9	6.220/157.99			
-563	2X63	6.20/157.4	6.320/160.53			
-564	2X64	6.30/160.0	6.420/163.07			
66926-565	2X65	6.40/162.5	6.520/165.61	YES	NOTE 2	NOTE 6,7
66926-566 THRU -600						

OBSOLETE



Copyright FCJ

mat'l. code NOTE 1,2		surface ISO 1302 <input checked="" type="checkbox"/>	tolerance ISO 406 ISO 1101	projection 	product family CARD CONN.
ltr	ecn no	dr	date	tolerances unless otherwise specified	title
N				angles linear 0°±2'	2 X .100/2.54 HORIZ. CARD CONNECTOR
				.xx ±.01/.3 .xxx ±.005/.13 .xxxx ±.0020/.051	INCH/MM
					scale 4:1
		dr	J. SHREINER	3/22/90	dwg no
		enr	M. HAHN	3/22/90	sheet 6 of 6 size
		chr	M. HAHN	3/22/90	66926 A3
		appd	M. HAHN	3/22/90	type Product Customer Drawing
sheet index	revision sheet				

